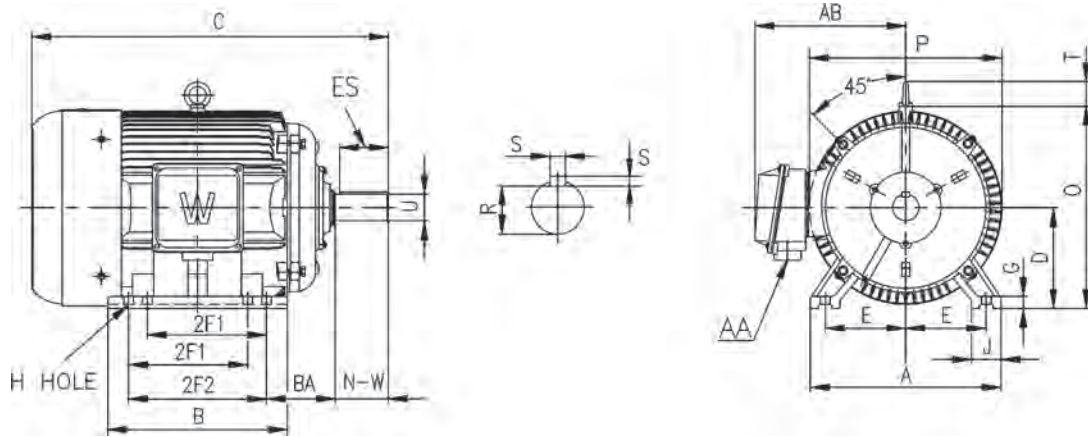


# WORLDWIDE AGGREGATE MOTORS ADVANCED DESIGN ROCK CRUSHER

TEFC Enclosure ▪ Rigid Base

Three-Phase ▪ 208-230/460 and 460 Volt



ALL DIMENSIONS IN INCHES

Frame	E	2F1	2F2	H	BA	A	B	C	D	G	J	P	O	T	AB	S	ES	R	N-W	U	AA
PEWWE-405T	8	12.25	13.75	0.81	6.62	20	17.8	38.35	10	1.18	3.15	21.42	21.02	2.83	18.31	0.75	5.65	2.45	7.25	2.875	3
PEWWE-444T	9	14.5	---	0.81	7.5	22	18.5	42.52	11	1.38	3.35	23.43	22.97	3.46	19.41	0.875	6.91	2.88	8.5	3.375	2 x 3
PEWWE-445T	9	14.5	16.5	0.81	7.5	22	20.5	44.5	11	1.38	3.35	23.43	22.97	3.46	19.41	0.875	6.91	2.88	8.5	3.375	2 x 3
PEWWE-445/7T	9	16.5	20	0.81	7.5	22	24	48.03	11	1.38	3.35	23.43	22.97	3.46	19.41	0.875	6.91	2.88	8.5	3.375	2 x 3
PEWWE-449T	9	25	---	0.81	7.5	22	31	55.51	11	1.575	3.35	24	23	4.25	19.07	0.875	7.01	2.88	8.5	3.375	2 x 3
WWE-449T	9	25	---	0.81	7.5	22	31	55.51	11	1.575	3.35	24	23	4.25	19.07	0.875	7.01	2.88	8.5	3.375	2 x 3
WWE-449TS	9	25	---	0.81	7.5	22	31	51.8	11	1.575	3.35	24	23	4.25	19.07	0.625	3.15	2.021	4.72	2.375	2 x 3
WWE-505Z	10	16	18	0.938	8.5	24.72	26	53	12.5	1.87	4.72	25	25.3	4.25	20.9	0.875	9	3.134	10.625	3.625	2 x 3
WWE-505UZ	10	16	18	0.938	8.5	24.72	26	54	12.5	1.87	4.72	25	25.3	4.25	20.9	1	10	3.309	11.625	3.875	2 x 3
WWE-586/7	11.5	22	25	1.125	10	28	33.85	65.6	14.5	2.05	5	28.15	28.87	4.99	23.9	1	10	3.309	11.625	3.875	2 x 3
WWE-586/7UZ	11.5	22	25	1.125	10	28	33.85	65.6	14.5	2.05	5	28.15	28.87	4.99	23.9	1	10	3.817	11.625	4.375	2 x 3

MOTOR  
DIMENSIONS

Dimensions shown in this catalog are for general use only.  
For an exact drawing on a specific rating, please contact our sales office.

